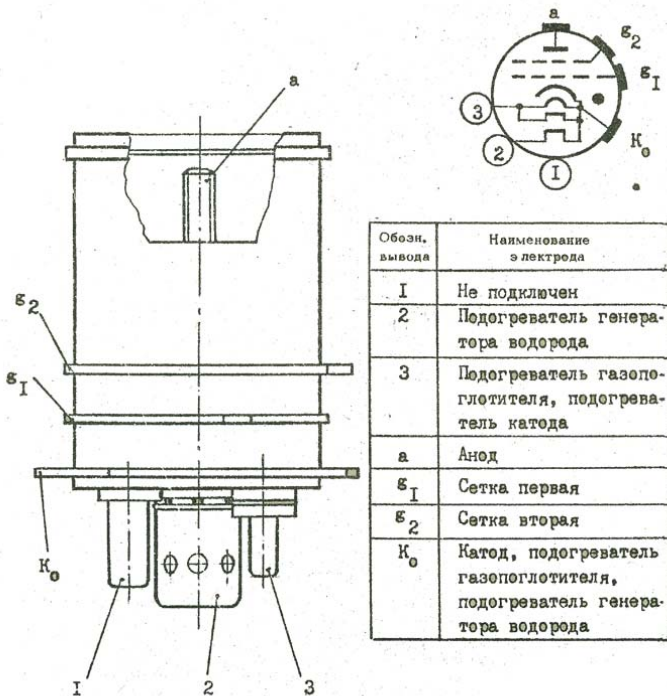


THYRATRON TGI3-500/16

Characteristics of TGI3-500/16	
Anode voltage, kV	16
Reverse anode voltage, kV	1.0 – 3.0
Anode current in pulse, A	500
Anode current average, A	0.5
Current anode impulse time, microseconds	0.3 – 10.0
Steepness of anode current pulse edge, A/s	2×10^9
Pulse repetition rate, pulse/s	1000/8000
Warm-up time, min	5
Heater current, A	20.5
Dimensions $\varnothing \times H$, mm	84x127

Note: the thyratrons operate at pulse repetition rate to 50000 pulse/s on condition of decrease of pulse and average power.

The draft:



Outlet identification	The electrode item
1	not connected
2	the hydrogen generator reheater
3	the gas absorber reheater, the cathode reheater
a	anode
g ₁	the first grid
g ₂	the second grid
K ₀	cathode, the gas absorber reheater, the hydrogen generator reheater

JSC "PLASMA"

24 Tsiolkovsky Street, Ryazan, 390023, Russia

phone: (4912) 24 90 74, fax: (4912) 44 06 81.

E-mail: sales@plasmalabs.ru. Website: www.plasmalabs.ru