

## THYRATRON TGI1-2000/35M

Characteristics of TGI1-2000/35M	
Anode voltage, kV	10 – 35
Reverse anode voltage, kV	1.7 – 5.0
Anode current in pulse, A	2000
Anode current average, A	3.0
Current anode impulse time, microseconds	0.5 – 10.0
Steepness of anode current pulse edge, A/s	$7 \times 10^9$
Pulse repetition rate, pulse/s	330
Warm-up time, min	7
Heater current, A	60
Dimensions $\varnothing \times H$ , mm	172x410

Note: the thyratrons operate at pulse repetition rate to 50000 pulse/s on condition of decrease of pulse and average power.

### The draft:

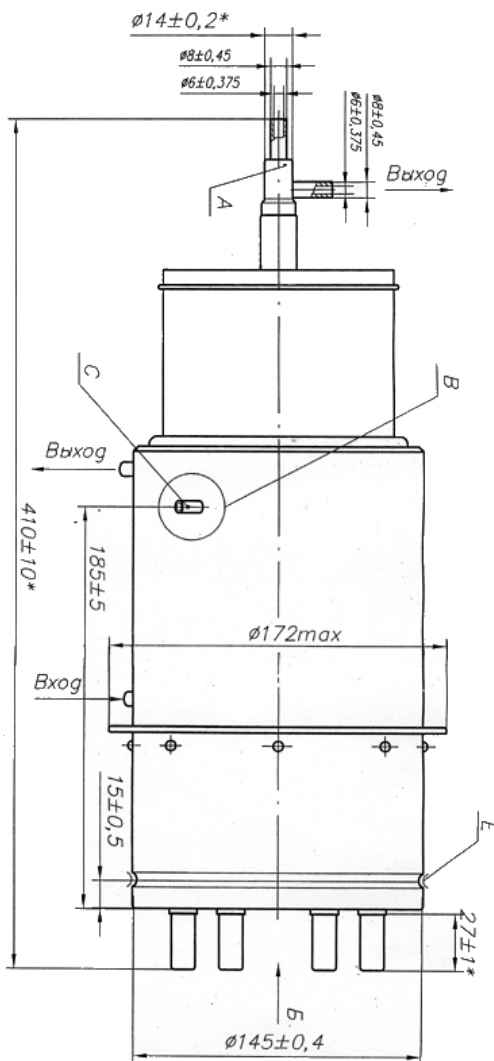
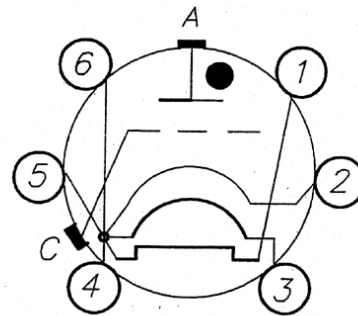


Схема соединения электродов с выводами



A – Верхний вывод, анод  
 1 – Подогреватель генератора водорода  
 2 – Катод  
 3 – Подогреватель катода  
 4, 5, 6 – Катод, подогреватель генератора водорода и катод  
 C – Боковой вывод, сетка

A scheme of connecting electrodes with outlets:

- A – the top outlet
- 1 – the hydrogen generator reheater
- 2 – cathode
- 3 – the cathode reheater
- 4, 5, 6 – cathode, the hydrogen generator reheater and cathode
- C – the side outlet, the grid

**JSC "PLASMA"**

24 Tsiolkovsky Street, Ryazan, 390023, Russia

phone: (4912) 24 90 74, fax: (4912) 44 06 81.

E-mail: [sales@plasmalabs.ru](mailto:sales@plasmalabs.ru). Website: [www.plasmalabs.ru](http://www.plasmalabs.ru)