

THYRATRON TGI2-500/20

Characteristics of TGI2-500/20		
Anode voltage, kV	20	10
Reverse anode voltage, kV	3.0	3.0
Anode current in pulse, A	500	300
Anode current average, A	0.5	0.4
Current anode impulse time, microseconds	0.1 – 0.2	0.1 – 0.3
Steepness of anode current pulse edge, A/s	10^{10}	6×10^9
Pulse repetition rate, pulse/s	1000	12000
Warm-up time, min	10	
Heater current, A	20.5	
Dimensions ØxH, mm	84x127	



Note: the thyratrons operate at pulse repetition rate to 50000 pulse/s on condition of decrease of pulse and average power.

The draft:

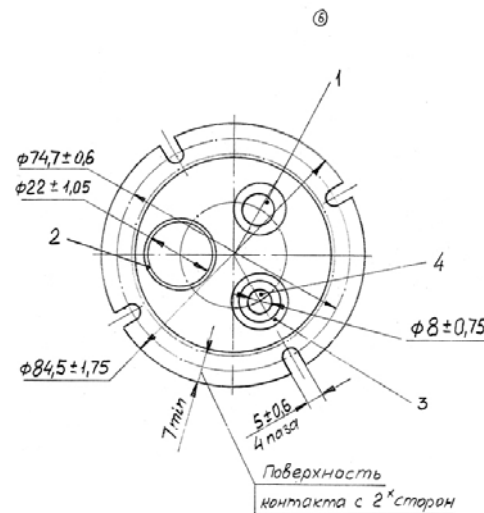
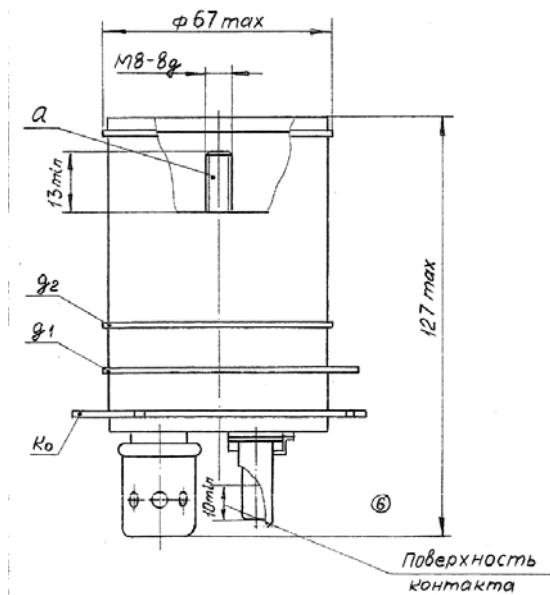
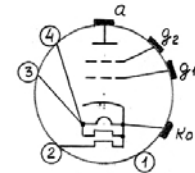


Схема соединения электродов с выводами



1 - не подключен.
 2 - подогреватель генератора водорода.
 3 - подогреватель газопоглотителя
 4 - подогреватель катода
 a - анод
 g1 - сетка
 g2 - сетка
 K0 - катод, подогреватель катода,
 подогреватель генератора
 водорода, подогреватель
 газопоглотителя
 Вывод 1 не заземлять, не
 соединять с другими выводами.

A scheme of connecting electrodes with outlets:

- 1 – not connected
- 2 – the hydrogen generator reheater
- 3 – the gas absorber reheater
- 4 – the cathode reheater
- anode
- screening electrode
- the first grid
- the second grid
- cathode, the cathode reheater, the hydrogen generator reheater, the gas absorber reheater.

Conclusion 1: do not ground and do not connect with other outlets.

JSC "PLASMA"

24 Tsiolkovsky Street, Ryazan, 390023, Russia

phone: (4912) 24 90 74, fax: (4912) 44 06 81. E-mail: sales@plasmalabs.ru. Website: www.plasmalabs.ru