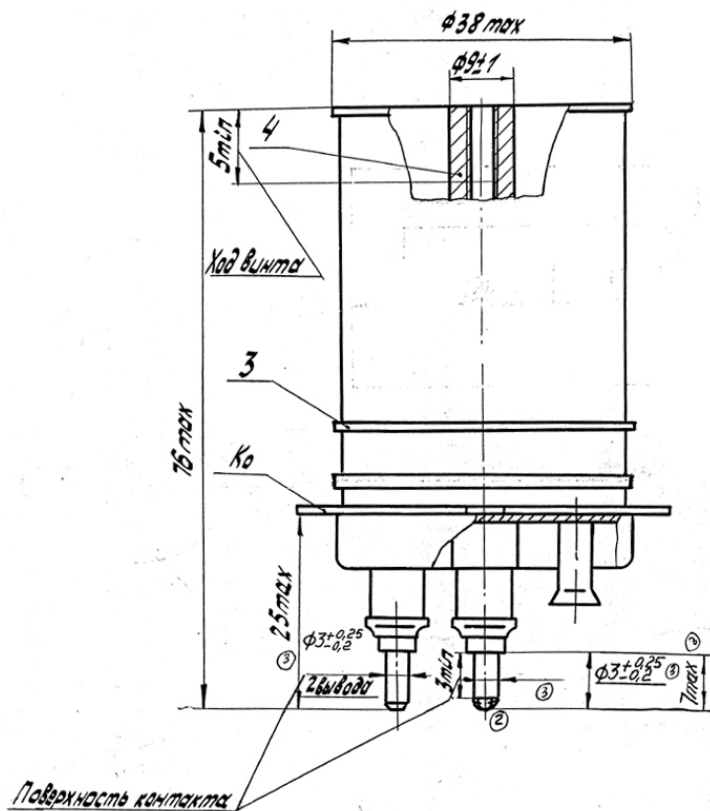


## THYRATRON TGI1-50/6

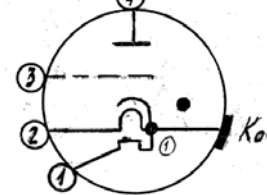
Characteristics of TGI1-50/6	
Anode voltage, kV	1 – 6
Reverse anode voltage, kV	0.5 – 1.5
Anode current in pulse, A	50
Anode current average, A	0.12
Current anode impulse time, microseconds	0.2 – 4.0
Steepness of anode current pulse edge, A/s	$0.25 \times 10^9$
Pulse repetition rate, pulse/s	1100
Warm-up time, min	3
Heater current, A	7
Dimensions ØxH, mm	50x76

Note: the thyratrons operate at pulse repetition rate to 50000 pulse/s on condition of decrease of pulse and average power.

### The draft:



*Схема соединения электродов с выводами*



- 1- подогреватель генератора водорода
- 2- подогреватель катода
- 3- сетка
- 4- анод
- Ka - катод, подогреватель катода, подогреватель генератора водорода

A scheme of connecting electrodes with outlets:

- 1 – the hydrogen generator reheater
- 2 – the cathode reheater
- 3 – the grid
- 4 – anode
- cathode, the cathode reheater, the hydrogen generator reheater

**JSC “PLASMA”**

24 Tsiolkovsky Street, Ryazan, 390023, Russia

phone: (4912) 24 90 74, fax: (4912) 44 06 81.

E-mail: sales@plasmalabs.ru. Website: www.plasmalabs.ru