

THYRATRON TGI1-500/16M

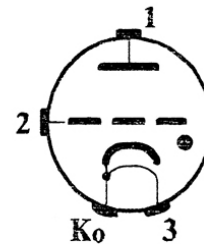
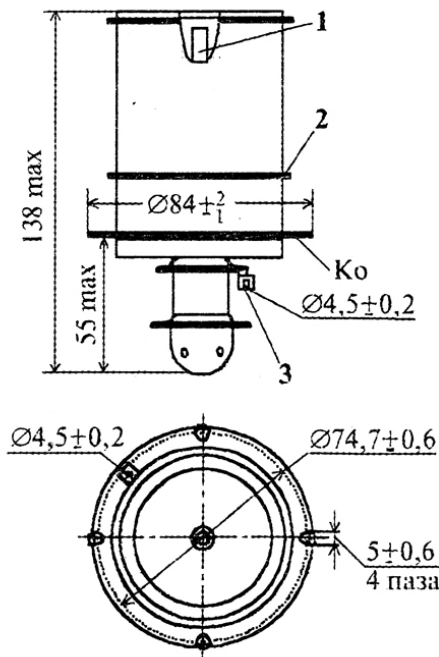
Characteristics of TGI1-500/16M	
Anode voltage, kV	16
Reverse anode voltage, kV	3.2
Anode current in pulse, A	500
Anode current average, A	0.5
Current anode impulse time, microseconds	0.5 – 10
Steepness of anode current pulse edge, A/s	2×10^9
Pulse repetition rate, pulse/s	1000
Warm-up time, min	5
Heater current, A	17.0
Dimensions $\varnothing \times H$, mm	84x138

Note: the thyratrons operate at pulse repetition rate to 50000 pulse/s on condition of decrease of pulse and average power.



The draft:

Схема соединения электродов с выводами



Обозначение вывода	Наименование электрода
1	Анод
2	Сетка
K ₀	Катод, подогреватель, генератор водорода
3	Подогреватель

A scheme of connecting electrodes with outlets:

Outlet identification	The electrode item
1	anode
2	grid
K ₀	cathode, the hydrogen generator reheater
3	the reheater

JSC "PLASMA"

24 Tsiolkovsky Street, Ryazan, 390023, Russia

phone: (4912) 24 90 74, fax: (4912) 44 06 81.

E-mail: sales@plasmalabs.ru. Web site: www.plasmalabs.ru