

THYRATRON TGI1-3000/30

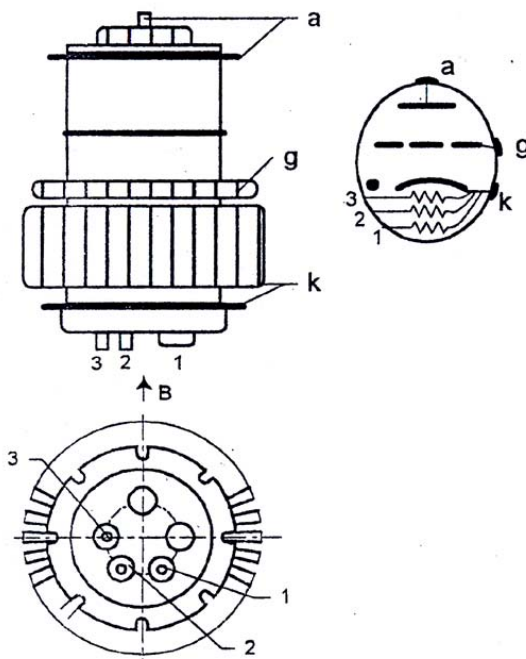
Characteristics of TGI1-3000/30		
Anode voltage, kV	25*	16.5**
Reverse anode voltage, kV	5.0	20.0
Anode current in pulse, A	3000	2500
Anode current average, A	3.0	2.5
Current anode impulse time, microseconds	10	
Steepness of anode current pulse edge, A/s	2×10^9	
Pulse repetition rate, pulse/s	100	350
Warm-up time, min	12	
Heater current, A	75	
Dimensions $\text{Ø} \times \text{H}$, mm	210x300	

*modulation mode; ** generator mode.

Note: the thyratrons operate at pulse repetition to 50000 pulse/s on condition of decrease of pulse and average power.



Схема соединения электродов с выводами



Обозначение выводов	Наименование электродов
a	Анод
g	Сетка
k	Катод, подогреватели катода, генератора водорода, газопоглотителя
1	Подогреватель генератора водорода
2	Подогреватель газопоглотителя
3	Подогреватель катода

A scheme of connecting electrodes with outlets:

Outlet identification	The electrode item
a	anode
g	grid
k	cathode, the cathode reheater, the hydrogen generator reheater, the gas absorber reheater
1	the hydrogen generator reheater
2	the gas absorber reheater
3	the cathode reheater

phone: (4912) 24 90 74, fax: (4912) 44 06 81. E-mail: sales@plasmalabs.ru. Website: www.plasmalabs.ru