

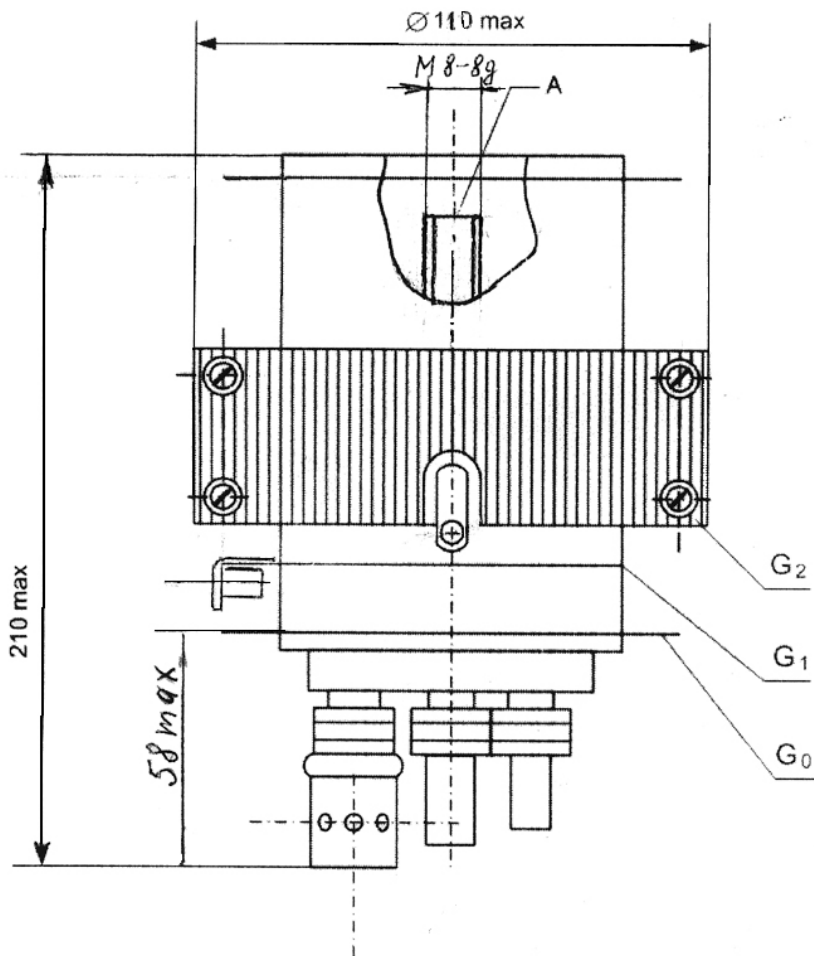
THYRATRON TGI2-1000/25

Characteristics of TGI2-1000/25	
Anode voltage, kV	25
Reverse anode voltage, kV	1.5 – 5.0
Anode current in pulse, A	1000
Anode current average, A	1.0
Current anode impulse time, microseconds	0.3 – 50.0
Steepness of anode current pulse edge, A/s	4×10^9
Pulse repetition rate, pulse/s	700
Warm-up time, min	5
Heater current, A	22
Dimensions $\text{Ø} \times \text{H}$, mm	110x200

Note: the thyratrons operate at pulse repetition rate to 50000 pulse/s on condition of decrease of pulse and average power.



The draft:



JSC "PLASMA"

24 Tsiolkovsky Street, Ryazan, 390023, Russia

phone: (4912) 24 90 74, fax: (4912) 44 06 81.

E-mail: sales@plasmalabs.ru. Website: www.plasmalabs.ru