

SPARK GAP SHARPENERS

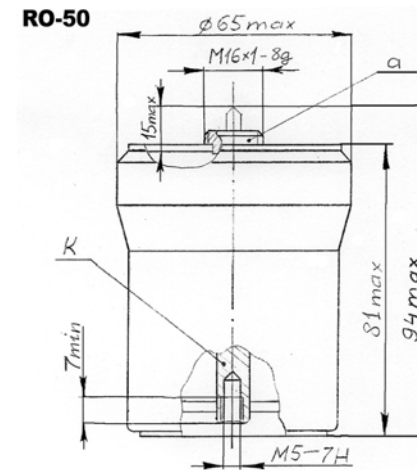
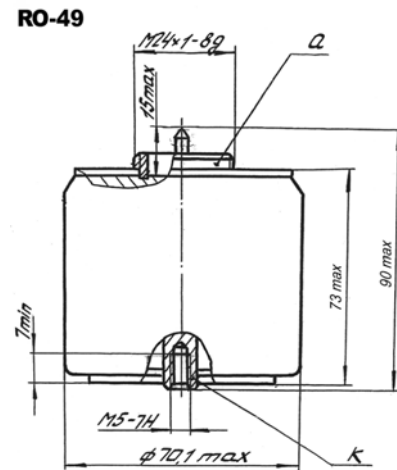
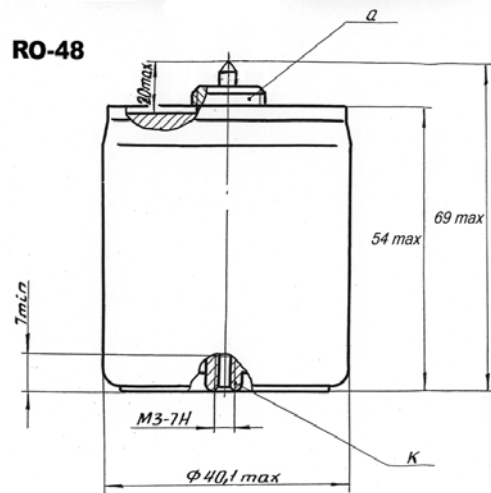
This type of double-electrode metal-ceramic spark gap switches of high pressure is produced in unsoldered way and is intended for the following: portative X-ray equipment in defectoscopy of metal structures and in medicine, image-converter tubes, high-speed photography, accelerative technology.

The usage of the spark gap sharpeners allows to lessen the dimensions and the mass of the facilities a lot, to lower the inductivity of the discharge resistor circuit and the energy losses of the facilities.



Unit	Dynamic breakdown Voltage, kV	Pulse current, kA	Switched energy, J	Dimensions, d x H, mm	Operating time, imi.
RO-48	100 - 140	0.4	0.5	40x69	3×10^6
RO-43	140 - 190	1	2	50x80	
RO-49	180 - 220		6	70x90	
RO-50	180 - 260		8	65x94	

The draft:



JSC «PLASMA»

24 Tsiolkovsky Street, Ryazan, 390023, Russia. Phone: (4912) 24 90 62, fax: (4912) 44 06 81.

E-mail: sales@plasmalabs.com Website: www.plasmalabs.com