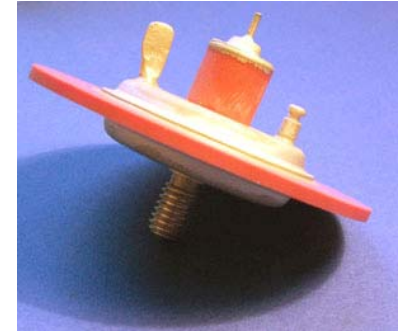


TRIGGERED SPARK GAPS

Three-electrode triggered spark gaps, offered by Plasma, JSC, are metal-ceramic, soldered gas-discharge devices of triggered type with coaxial position of the driving electrode. Spark gaps do not contain mercury (Hg) and, due to the improved construction, possess high reliability and long operation time, which has lead to their wide and successful application:

- in pulse devices for material processing;
- in plasma focus devices;
- in the power supplies of pulse lasers;
- in the medical equipment for lithotripsy;
- in the systems of oil well processing.



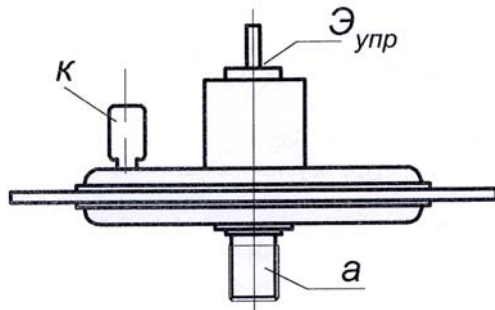
Model	Anode Voltage, kV	Commutated Energy, max, J	Pulse Current, κ A	Frequency, Hz	Dimensions, d x H, mm	Operation Life, Σ Q, C
RT-53	0.6 – 1.6	1.6/60	1.3/10	10/0.1	45x36	2000/750
RU-69	2 – 4	4/400	4/16	10/0.05	55x36	1000/300
RU-62	4 – 10	23/300	4/16	50/0.1	55x36	1000/30
RU-73	15 – 21	2	2	10	28x48	1000/400
RU-65	16 – 40	1000/37000	5/35	0.1/0.002	99x97	500/200
RU-77	10-12/0.5-15*	0.2/4	0.8/4	0.1-20/200**	21x40	2000
RU-78	20-27/10-30*	4/ to 500	2/10	0.1-20/200**	35x60	2000/500

* - spark gap series with voltage 40 — 80 % from static breakdown voltage;

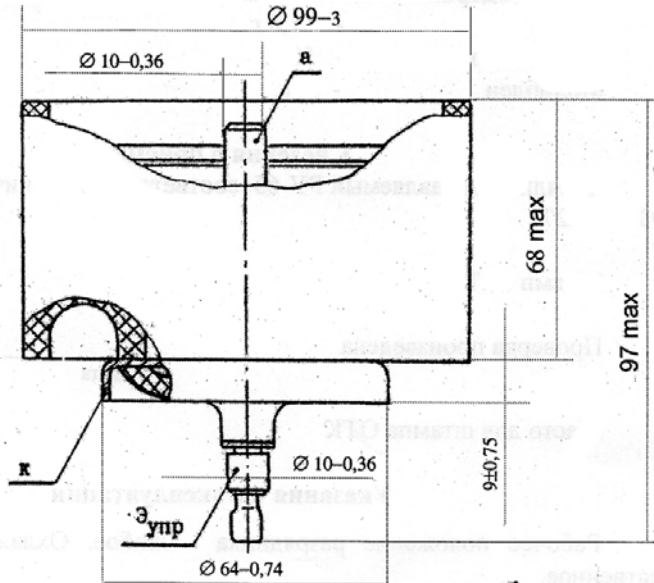
** - average pulse repetition frequency at the pulse supply of the anode voltage.

Outline Drawing

RU-53



RU-65



Plasma, JSC

24 Tsiolkovsky Street, 390023 Ryazan, Russia, Tel.: (4912) 24 90 74, fax: (4912) 44 06 81. E-mail: sales@plasmalabs.com Сайт: www.plasmalabs.com