

SUPER HIGH POWER PROTECTIVE SPARK GAPS

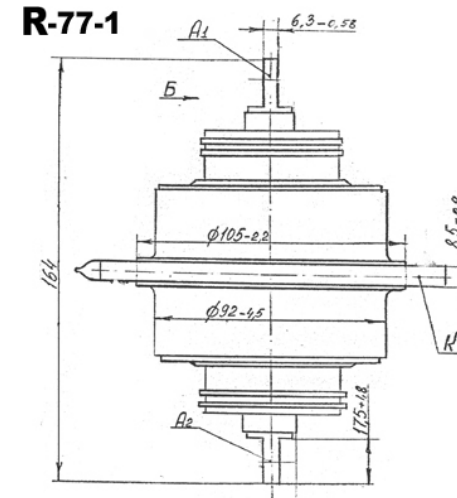
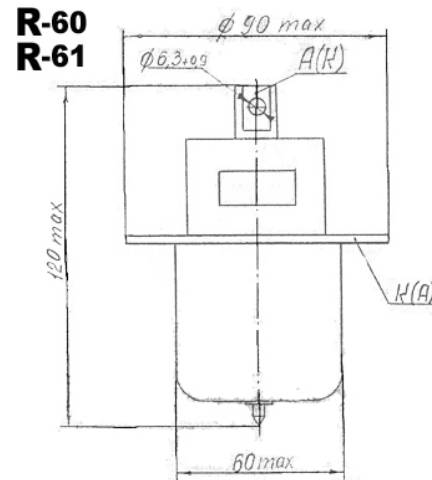
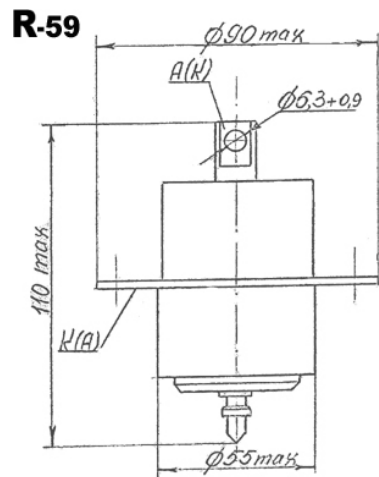
Super high power protective spark gaps were produced especially for the protection of radio technical apparatus from high voltage surge caused by the direct hit of lightning discharge.

Item	Static breakdown voltage, kV	Dynamic breakdown voltage*, kV	Switching charge, coulomb	Pulse current, kA	Pulse duration (at the level 0.5), microsecond	Dimensions, d x H, mm	Operating time, imi.
R-59	0.2 – 0.3	2.5	90	3	25000	90x110	20
R-60	2.0 – 3.3	12.5	90	3	25000	90x120	20
R-61	3.5 – 5.0	12.5	90	3	25000	90x120	20
R-77-1	0.17 – 0.32	1.5	37	7.5	5000	131x164	5

* $dU/dt = 5 \text{ kV/microsecond}$ (for R-59); $= 25 \text{ kV/microsecond}$ (for R-60, R-61); $= 1 \text{ kV/microsecond}$ (for R-77-1)



The draft:



JSC «PLASMA»

24 Tsiolkovsky Street, Ryazan, 390023, Russia. Phone: (4912) 24 90 62, Fax: (4912) 44 06 81.

E-mail: sales@plasmalabs.com. Website: www.plasmalabs.com